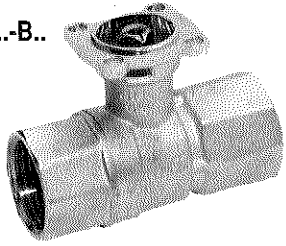
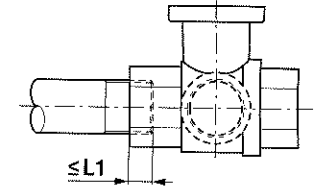
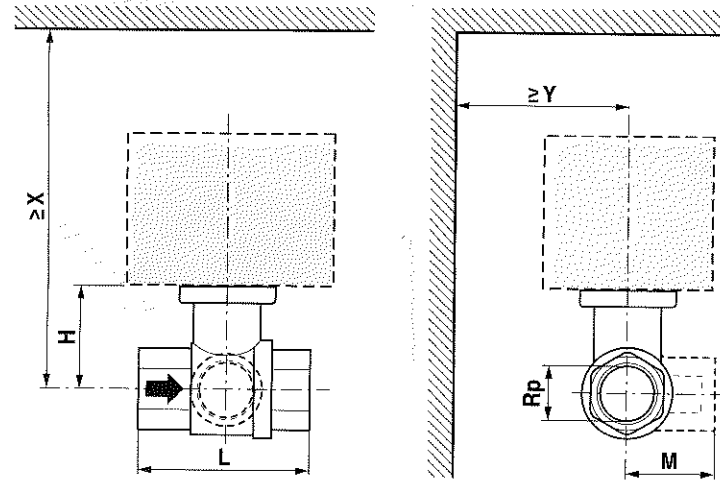
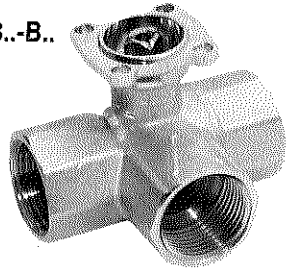


R2..-B..





R3..-B..



71270-00002.B



t -10 ... +100°C		p _s 1600 kPa																													
		DN	Rp	mm				80°C																100°C							
								KR..		TR..		LR..A		NR..A		SR..A		TRF..		LRF..		NRF..A		SRF..A							
		mm	"	L	H	M	L1	X	Y	X	Y	X	Y	X	Y	X	Y	X	Y	X	Y	X	Y	X	Y						
R2015..-B1	R3015..-B1	15	1/2"	67	44	36	13	150	75	185	75	195	75	230	80	230	80	190	80	200	90	220	90	220	90						
R2020..-B1	R3020..-B1	20	3/4"	78	46	41.5	14	160	77	195	77	200	75	235	80	235	80	200	85	205	90	225	90	225	90						
R2025..-B2	R3025..-B2	25	1"	87	46	45	16					200	75	235	80	235	80			205	90	225	90	225	90						
R2032..-B2	R3032..-B2	32	1 1/4"	105	46	55.5	19							240	80	240	80					230	90	230	90						
R2032..-B3	R3032..-B3	32	1 1/4"	105	50.5	55.5	19							240	80	240	80					230	90	230	90						
R2040..-B3	R3040..-B3	40	1 1/2"	111	50.5	56	19							240	80	240	80					230	90	230	90						
R2050..-B3	R3050..-B3	50	2"	125	56	68	22									245	80							235	90						

